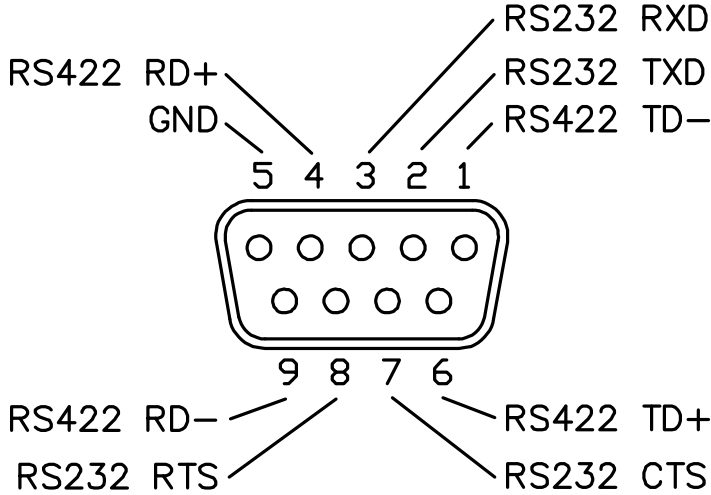


MSC4400 TYPICAL SERIAL PORT (1 OF 4)



FEMALE DE9 CONNECTOR LOCATED ON THE BACK.

NOTE: WIRING SELECTION MUST MATCH THE SOFTWARE SETTING FOR CORRECT RS232 OR RS422 OPERATION.