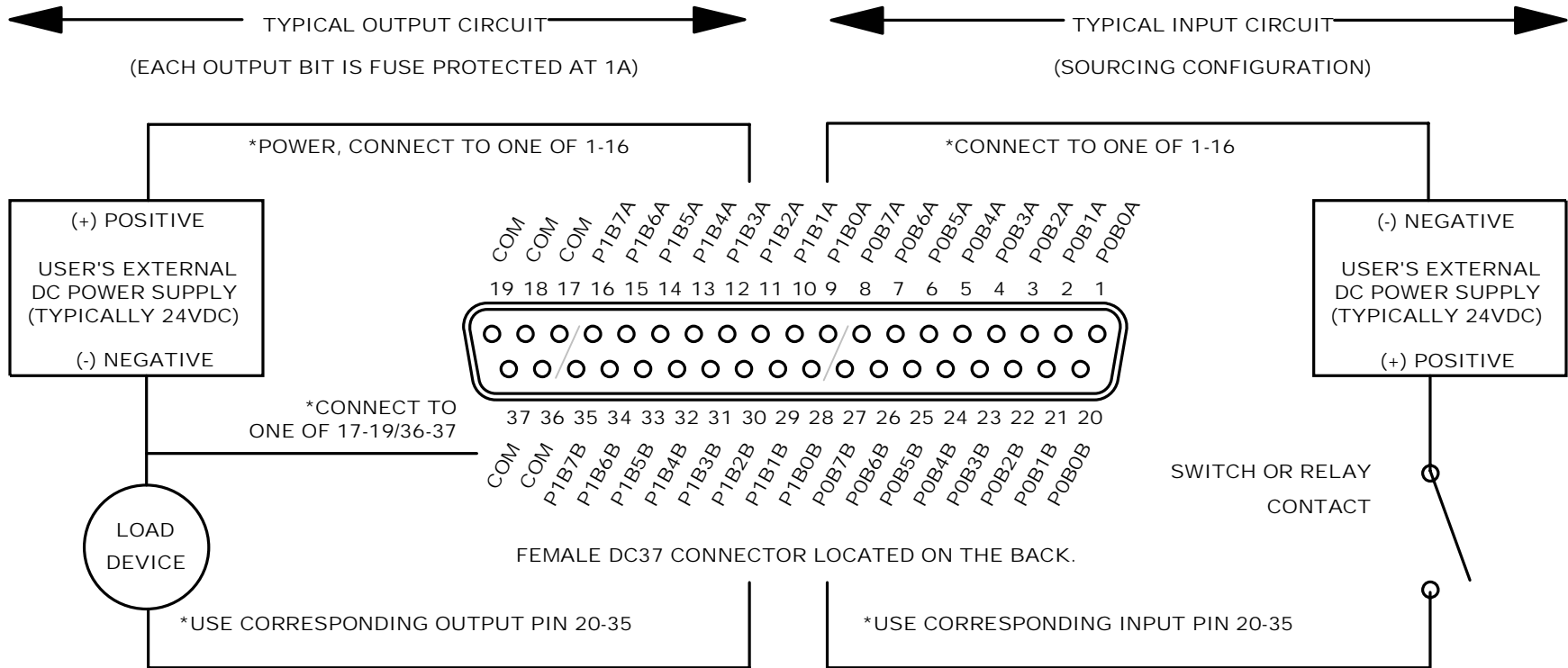


# IOM4410 INPUT/OUTPUT example for MSC4400

rev. C2 JAN. 2006



PIN PAIR TABLE

BIT 7	BIT 6	BIT 5	BIT 4	BIT 3	BIT 2	BIT 1	BIT 0	
8/27	7/26	6/25	5/24	4/23	3/22	2/21	1/20	PORT 0
16/35	15/34	14/33	13/32	12/31	11/30	10/29	9/28	PORT 1

NOTE: ANITECH'S CURRENT FIRMWARE SUPPORTS PORT CONFIGURATION, THEREFORE EACH PORT MAY BE AN INPUT OR OUTPUT FOR ALL 8 BITS WITHIN A PORT MUST BE WIRED THE SAME AS THE PORT CONFIGURATION.

COMMON REFERENCE (ONLY NECESSARY FOR OUTPUTS) ON PINS 17, 18, 19, 36, AND 37 ARE CONNECTED TOGETHER.

THERE ARE NO INTERNAL USER JUMPERS.